

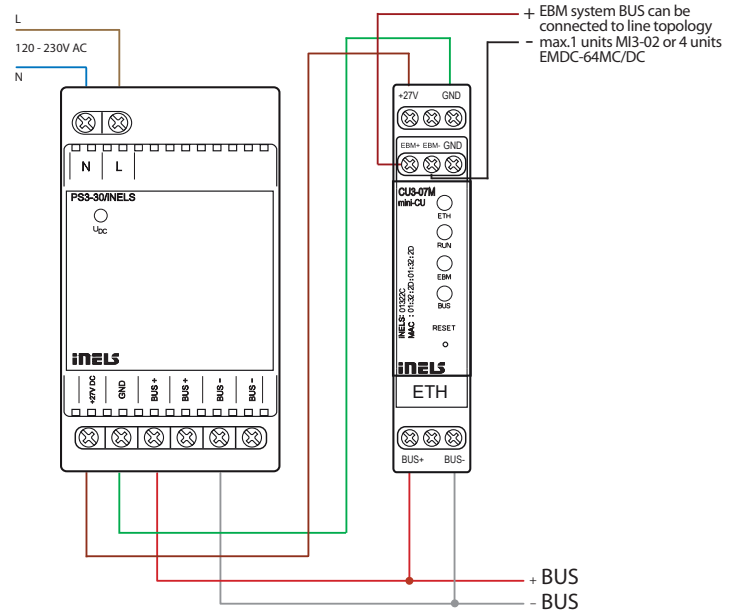


EAN code  
CU3-07M: 8595188180108

Technical parameters		CU3-07M
<b>Indication LED STATUS</b>		
Green LED RUN:	Flashing-communication with BUS, On-no communication	
Red LED ERR:	Flashing - no project, ON - unit STOP	
<b>Communication</b>		
<b>iNELS BUS</b>		
Indication (LED BUS):	green - unit status indication red - BUS fault indication	
Maximum number of units:	max. 32 units to one BUS line	
Maximum cable length:	max. 300 m (depends on power loss)	
<b>BUS EBM</b>		
Indication:	green - indication communication red - faul indication	
Maximum cable length:	max. 300 m	
<b>Ethernet</b>		
Connector:	RJ45	
Communication speed:	100 Mbps	
Indication of the Ethernet (LED ETH):	green - Ethernet comunication yellow - Ethernet speed 100 Mbps	
The default IP address:	192.168.1.1	
<b>Button RESET</b>		
Restart:	short press	
Reset (Factory Reset):	press the button to apply power, release the button 10 s after power is applied	
<b>Power supply</b>		
Supply voltage/tolerance:	27 V DC, -20/+10 %	
Rated current:	50 mA (at 27 V DC)	
<b>Operating conditions</b>		
Operating temperature:	-20 to +55 °C	
Storage temperature:	-25 to +70 °C	
Humidity:	max. 80%	
Protection degree:	IP20 device, IP40 with cover in the switchboard	
Overtoltage category:	II.	
Pollution degree:	2	
Operating position:	any	
Installation:	to the switching board on the EN 60715 DIN rail	
Design:	1-MODULE	
Terminal:	max. 2.5 mm <sup>2</sup>	
<b>Dimensions and weight</b>		
Dimensions:	94 x 17.6 x 64 mm	
Weight:	72 g	

- CU3-07M is one of the basic system control units of iNELS BUS installations.
- The unit can work independently, as an autonomous project, or it can be controlled by the IP-MASTER as part of a larger project.
- The units is equipped with one BUS to which it is possible to connect up to 32 elements from the iNELS BUS portfolio.
- The current load of one line is max, 1 A, BPS3-01M with 3 A canbe used incase of connected device with more than 1 A.
- The CU3-07M unit is equipped with one EBM bus. The EBM system bus allows to connect central unit with MI3-02M external masters (max 1 Nos) or converter DALI/DMX EMDC-64M, (max 4 Nos) or combined MI3-02M x1 nos and EMDC-64M x 2 Nos.
- The RJ45 100 Mbps Ethernet connector is used for direct communication with the cloud for mobile app control or for communication with the superior unit within the iNELS IP topology.
- Configuration takes place in the iNELS3 Designer & Manager software (iDM3).
- Through iDM3 it is possible to update the firmware of central units and bus connected peripheral units.
- The units is powered by 27 V DC from inels power supply.
- System units CU3-07M in 1-MODULE designen are designed for mounting into a switchboard on DIN rail EN60715.

**Connection**



max. 32 units per BUS; max. 1A (PS3-30 / iNELS) per BUS